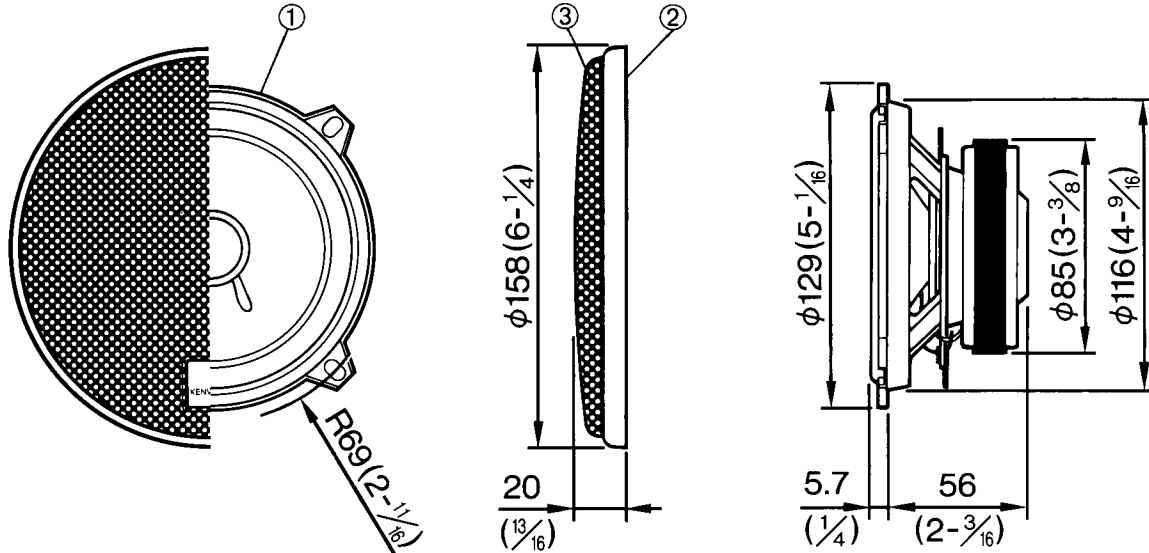


EXTERNAL VIEW

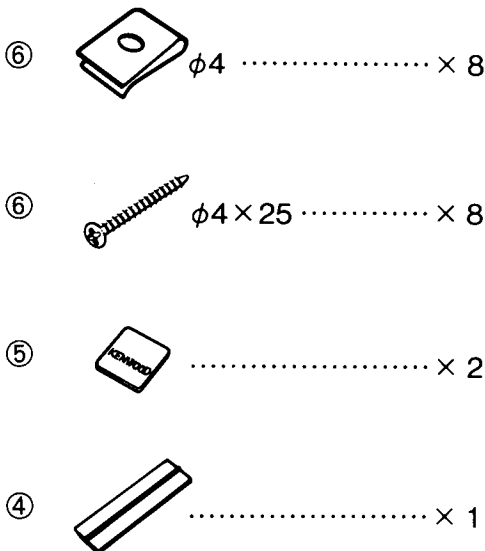


UNIT : mm (inch)

PARTS INCLUDED

Parts included
Pieces comprises
Mitgeliefertes zubehör

Parti incluse
Bijgeleverde onderdelen
Partes incluidas



PARTS LIST

*New parts
Parts without **Parts No.** are not supplied.
Les articles non mentionnés dans le **Parts No.** ne sont pas fournis.
Teile ohne **Parts No.** werden nicht geliefert.

| Ref No. | New parts | Parts No. | Description |
|---------|-----------|-------------|--------------------|
| ② | | B06-0886-08 | GRILL |
| ⑤ | | B43-0937-08 | BADGE SET |
| - | | B46-0100-30 | WARRANTY CARD |
| - | * | B61-0688-00 | INSTRUCTION MANUAL |
| ③ | | F09-1098-08 | PROTECTOR |
| ④ | | J69-0117-08 | BUTYL RUBBER |
| ⑥ | * | N99-1282-08 | SCREW SET |
| ① | * | T06-0335-08 | SPEAKER |

SPECIFICATIONS

Speaker ————— 130mm (5 in) Injection
P.P. Cone Type 275g (9.7 oz) Magnet

Peak Power ————— 150Watts

Frequency Response — 45Hz~10,000Hz

Sensitivity ————— 89dB/W at 1m

Impedance ————— 4 Ohms

Net Weight With Grille — 1,680g (3.7lb)/Pair

KENWOOD follows a policy of continuous advancements in development.
For this reason specifications may be changed without notice.